

# Open air

by ALUMINCO



## Ground fixing guide

ELEGANT.INNOVATIVE.UNIQUE



Ground fixing guide	1
Ground fixing guide	7
Alternative ground fixing with galvanized fixing base	15
Alternative ground fixing with concrete screw	21
Corner ground fixing guide	27
Ground fixing with secret screw	33
Ground fixing guide for fixed typology	41
Ground fixing guide for fixed typology - Installation with slope +/-10°	45



# INSTALLATION METHODS

1



Inox allen screw M10x70

Code **EB912-1070**

Expansion plug

Code **EB01M-1040**

2



Galvanized fixing base

Code **E2200-173**

3



Concrete Screw Ø12-110

Code **EBM-12110**

4



Concrete Torx Ø7.5x112

Code **EBM-75112G**

5



Concrete Allen Screw Ø10x120

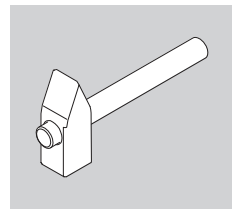
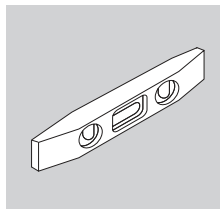
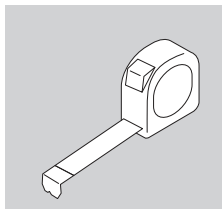
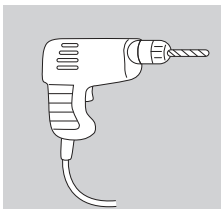
Code **EBM-10120G**

For proper function of OPEN AIR units, the installation must be only on concrete or tiled floors.

**IMPORTANT NOTE:**

- The ground must be 100% level.
- It is not recommended to install on wooden or metal floors.

## REQUIRED TOOLS



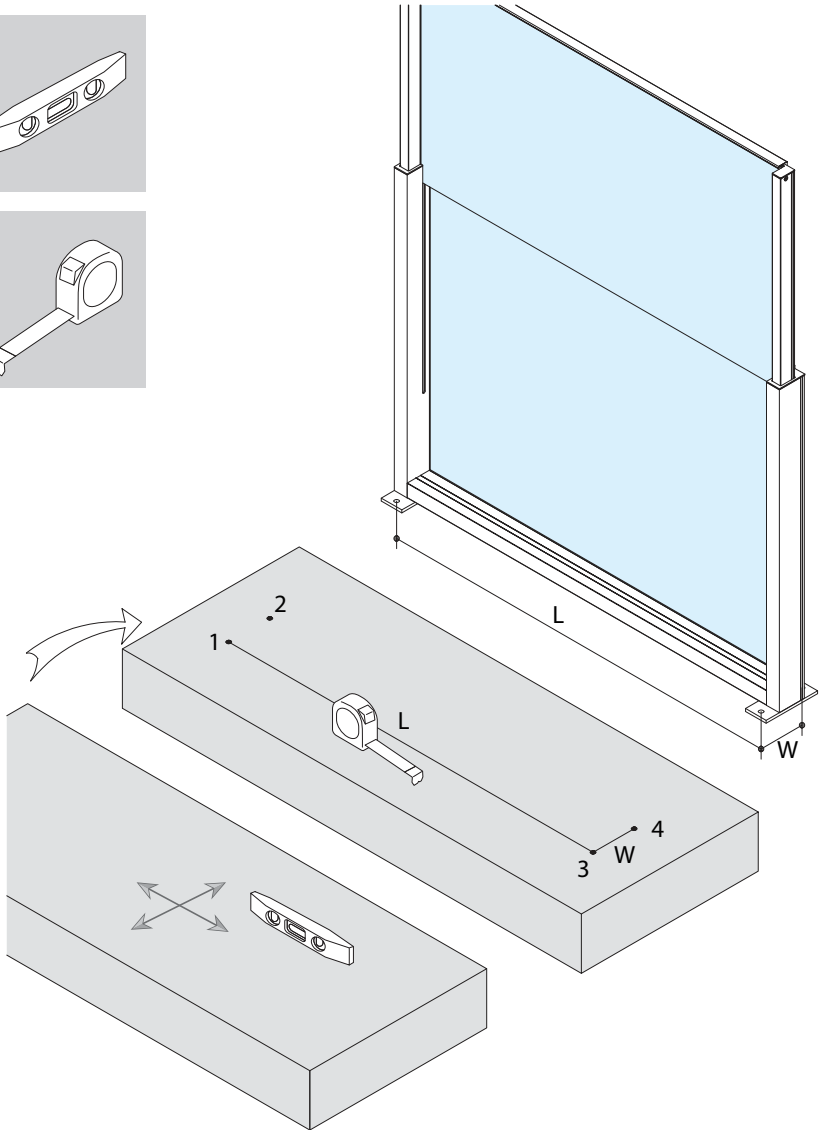
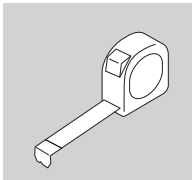
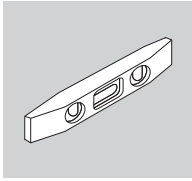


# Open air

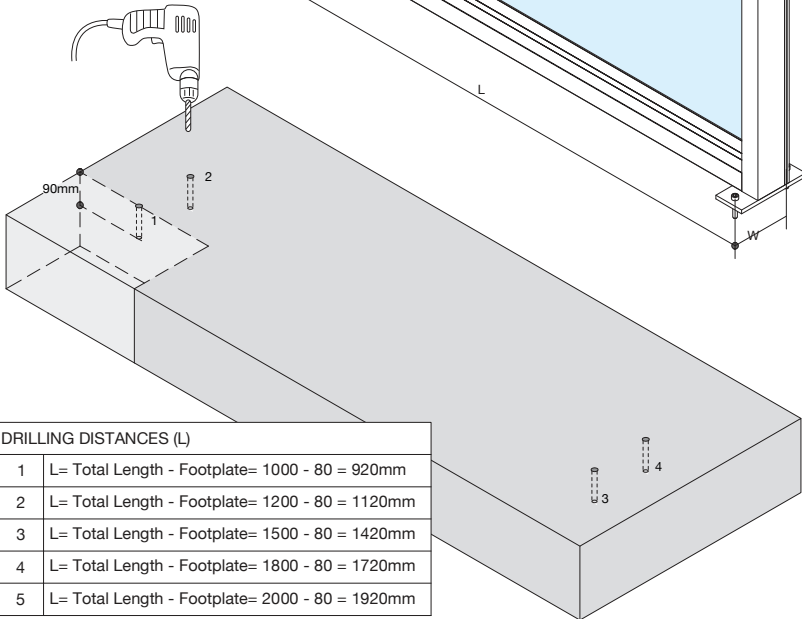
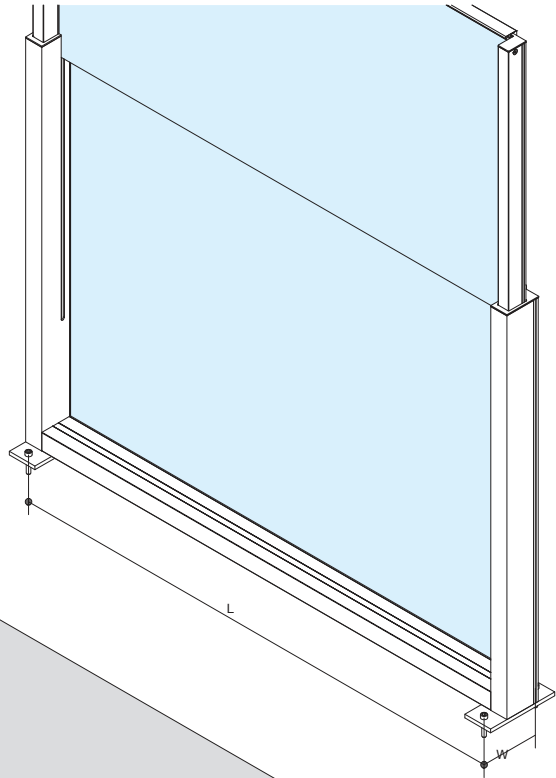
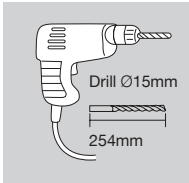
by ALUMINCO



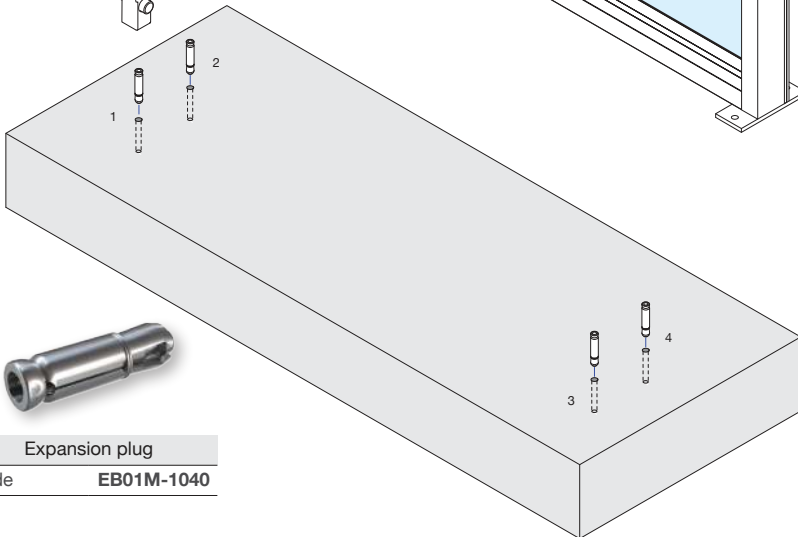
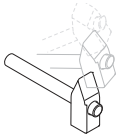
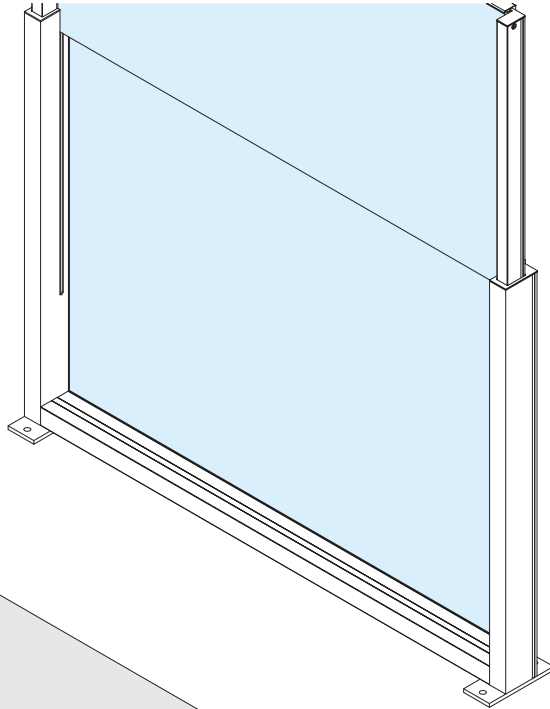
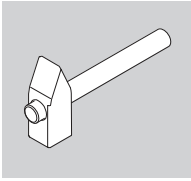
Ground fixing guide







DRILLING DISTANCES (L)	
1	L= Total Length - Footplate= 1000 - 80 = 920mm
2	L= Total Length - Footplate= 1200 - 80 = 1120mm
3	L= Total Length - Footplate= 1500 - 80 = 1420mm
4	L= Total Length - Footplate= 1800 - 80 = 1720mm
5	L= Total Length - Footplate= 2000 - 80 = 1920mm

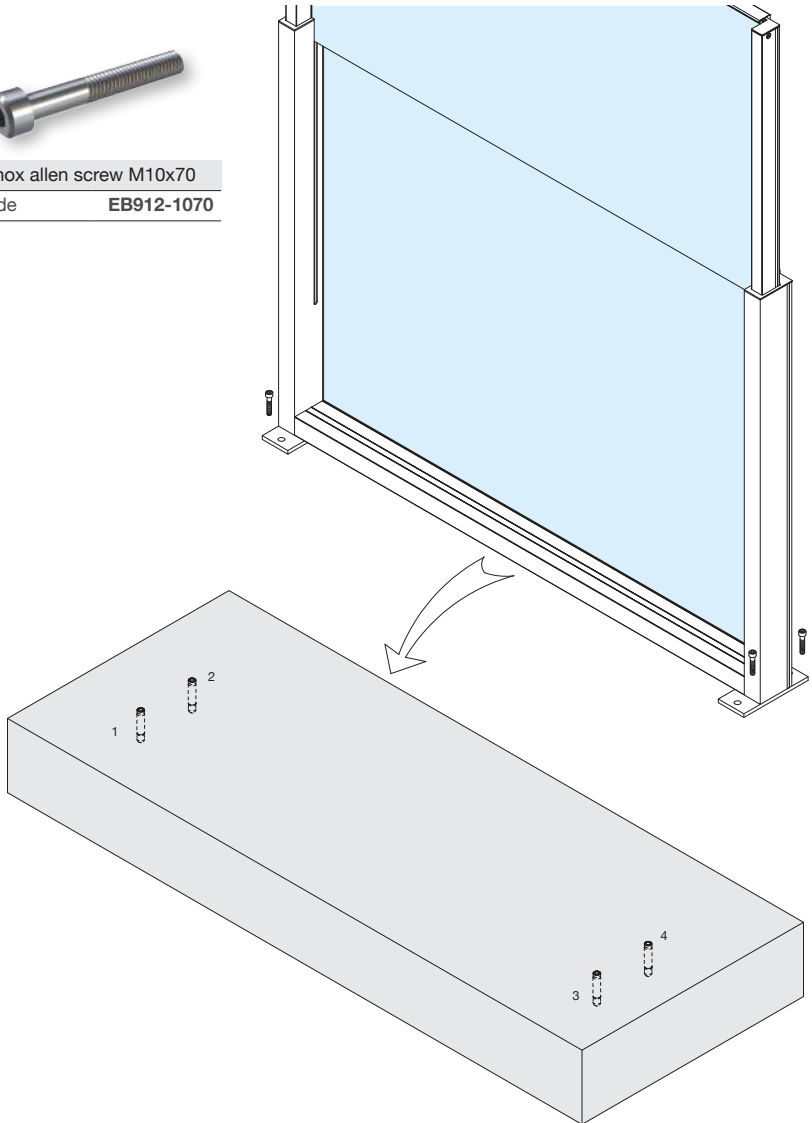


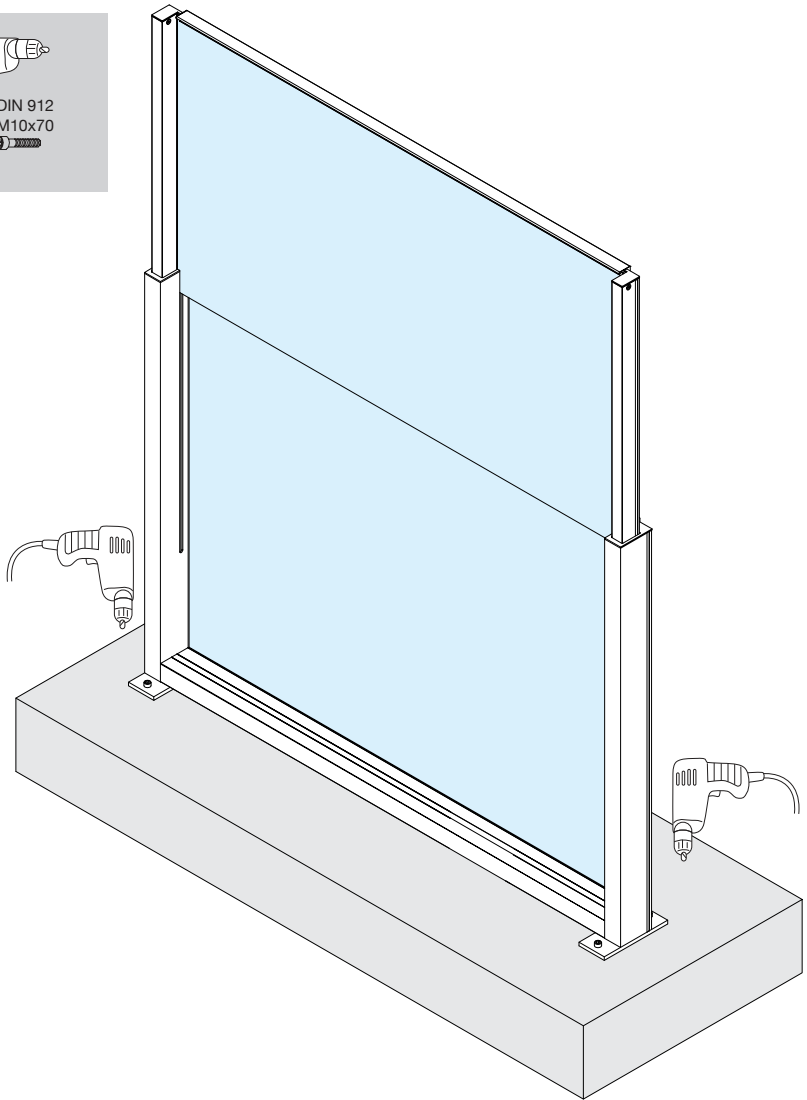
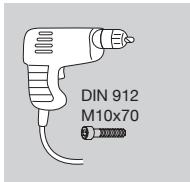
Expansion plug

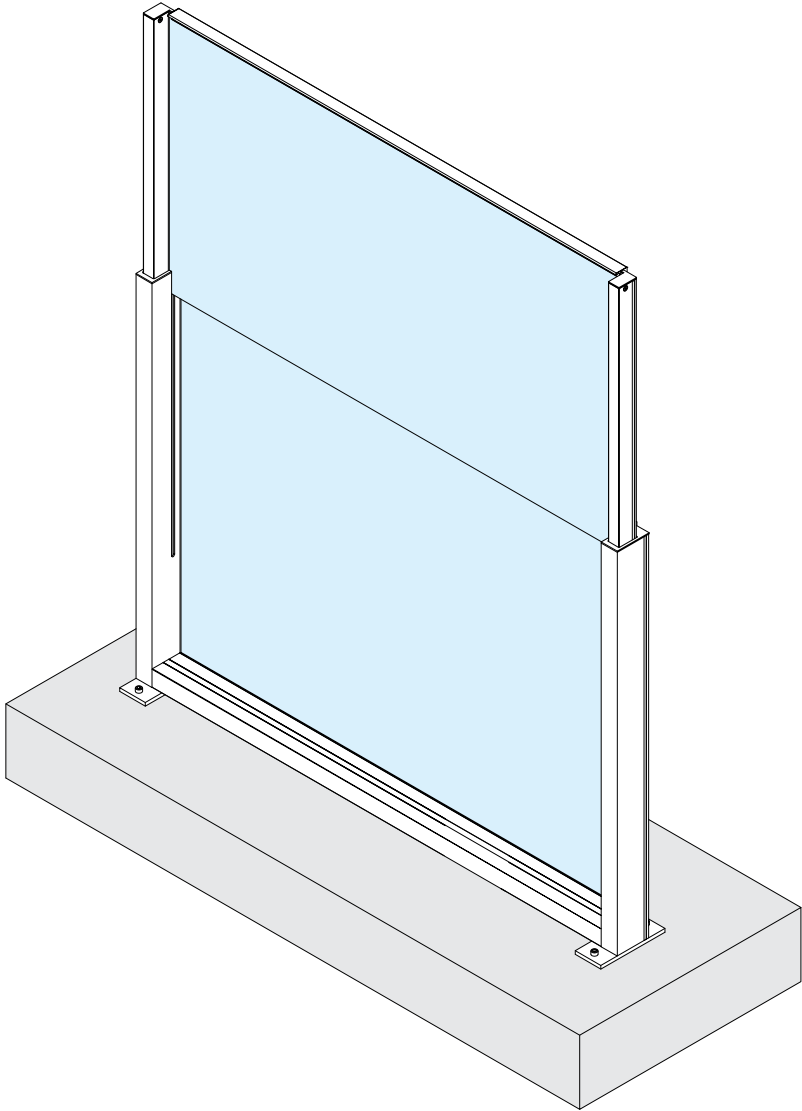
Code **EB01M-1040**



Inox allen screw M10x70  
Code **EB912-1070**









# Open air

by ALUMINCO

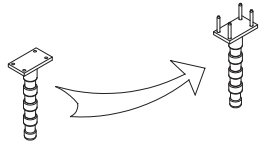
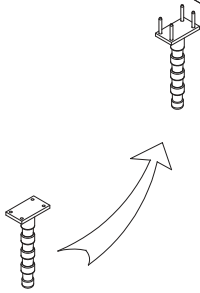
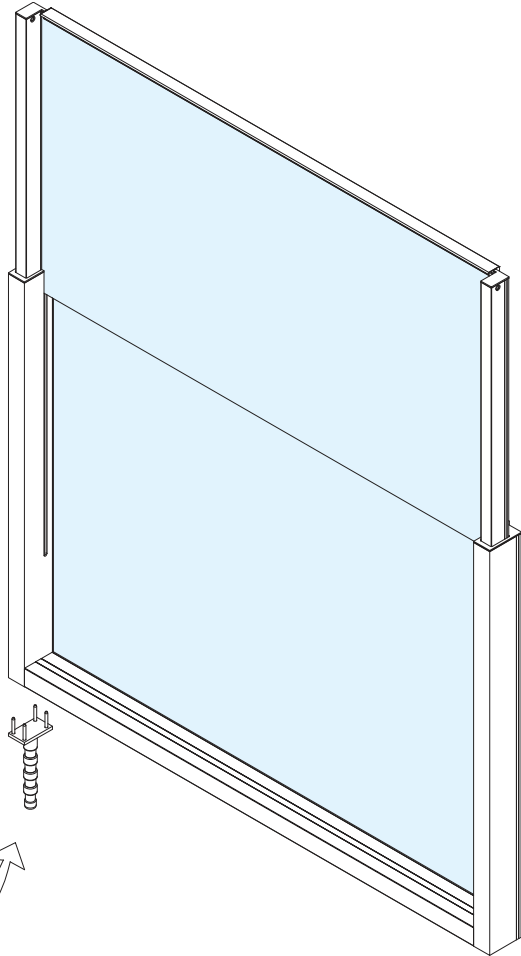
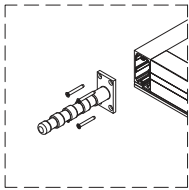


Alternative ground fixing with  
galvanized fixing base

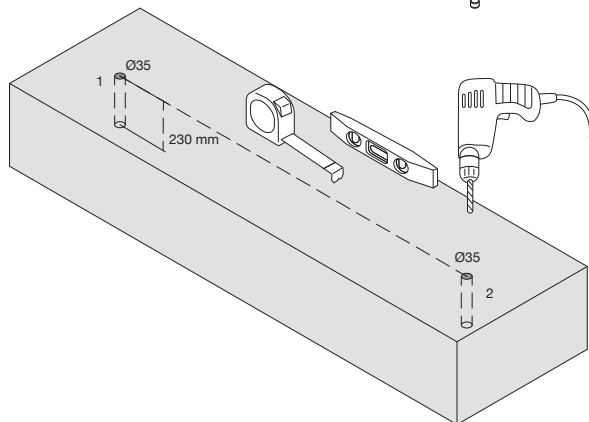
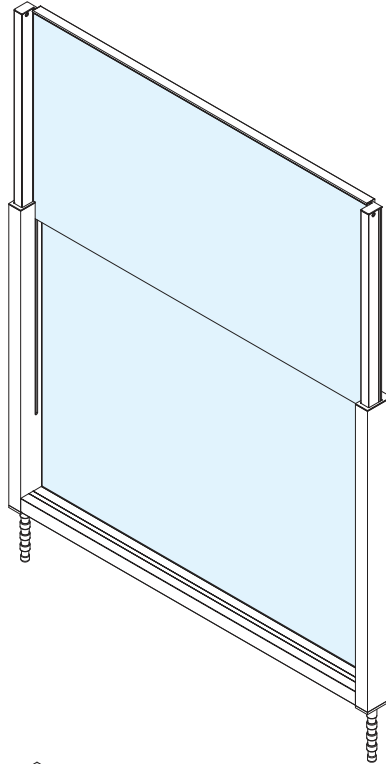
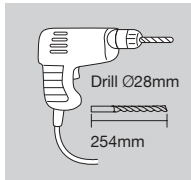
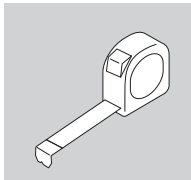
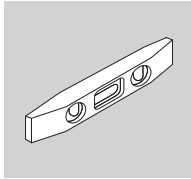
Alternative ground fixing with galvanized fixing base



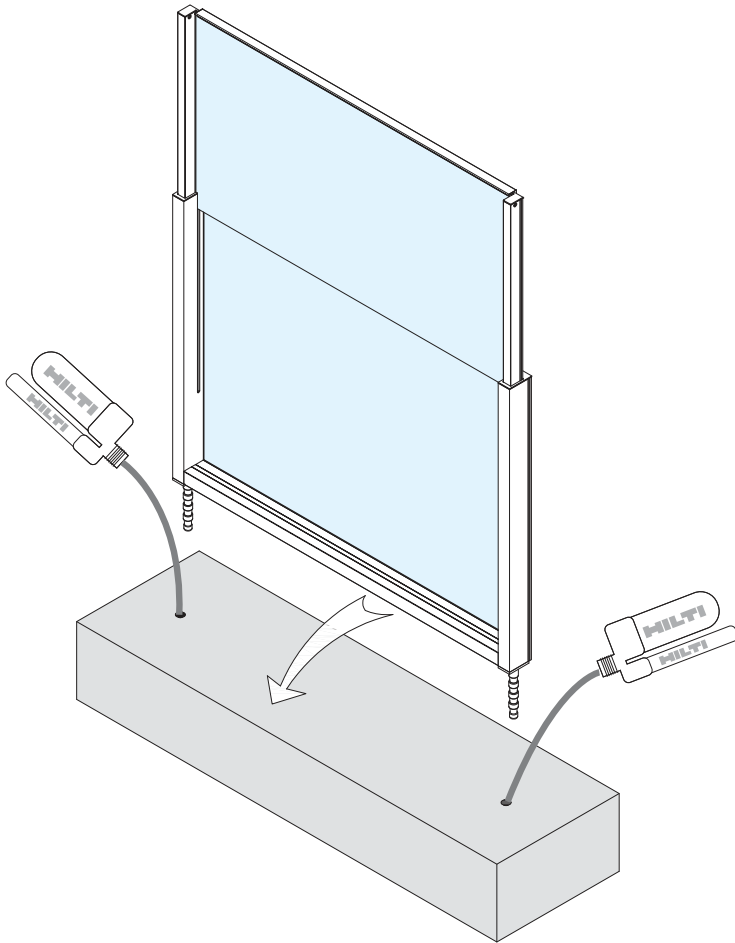
Galvanized fixing base  
Code E2200-173

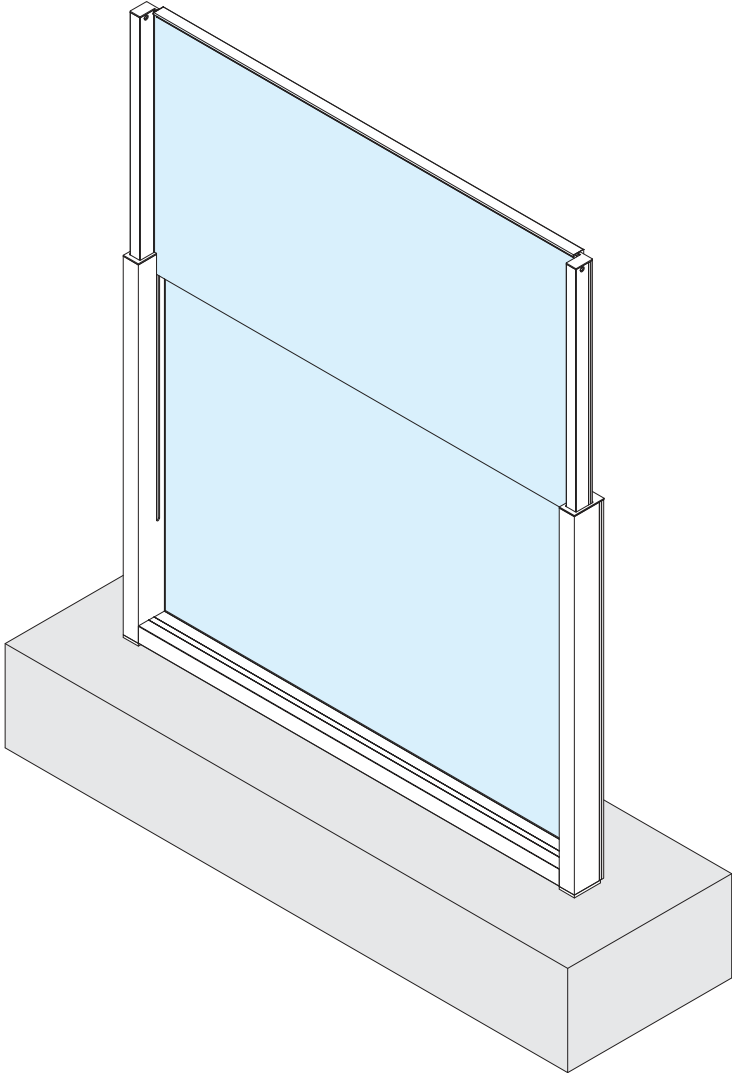






Alternative ground fixing with galvanized fixing base







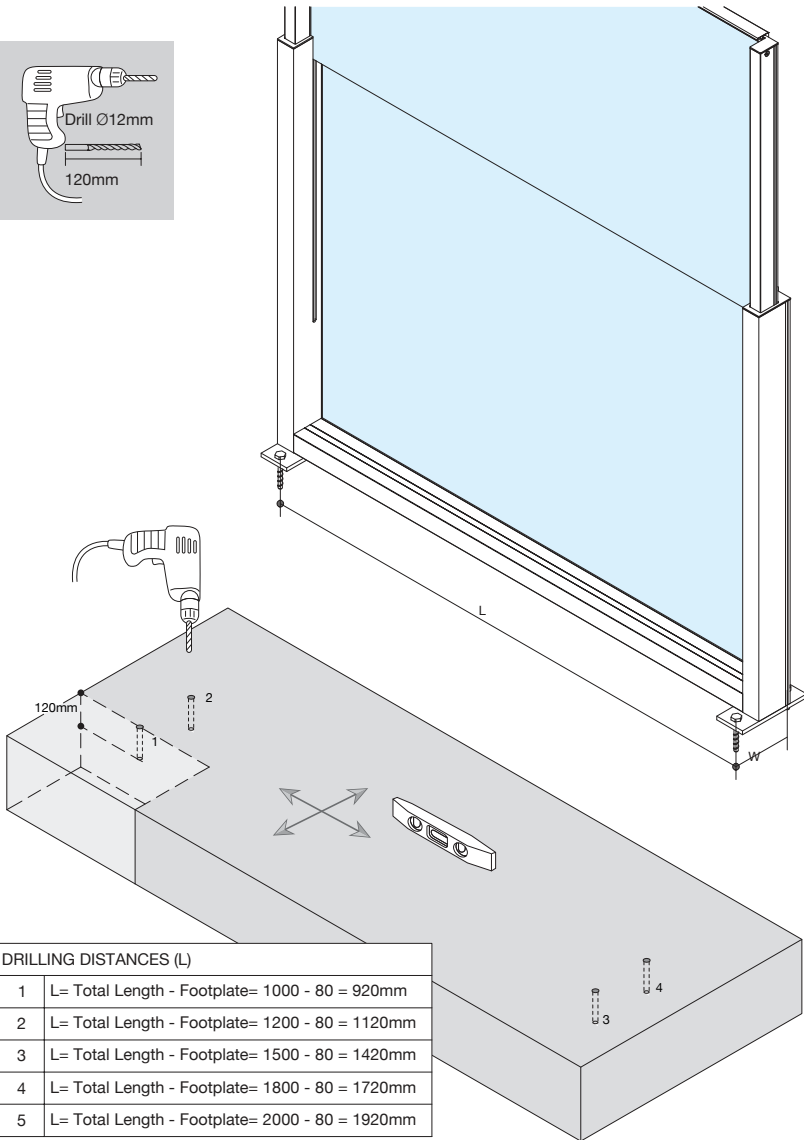
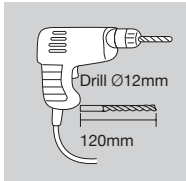
# Open air

by ALUMINCO



Alternative ground fixing  
with concrete screw

Alternative ground fixing with concrete screw

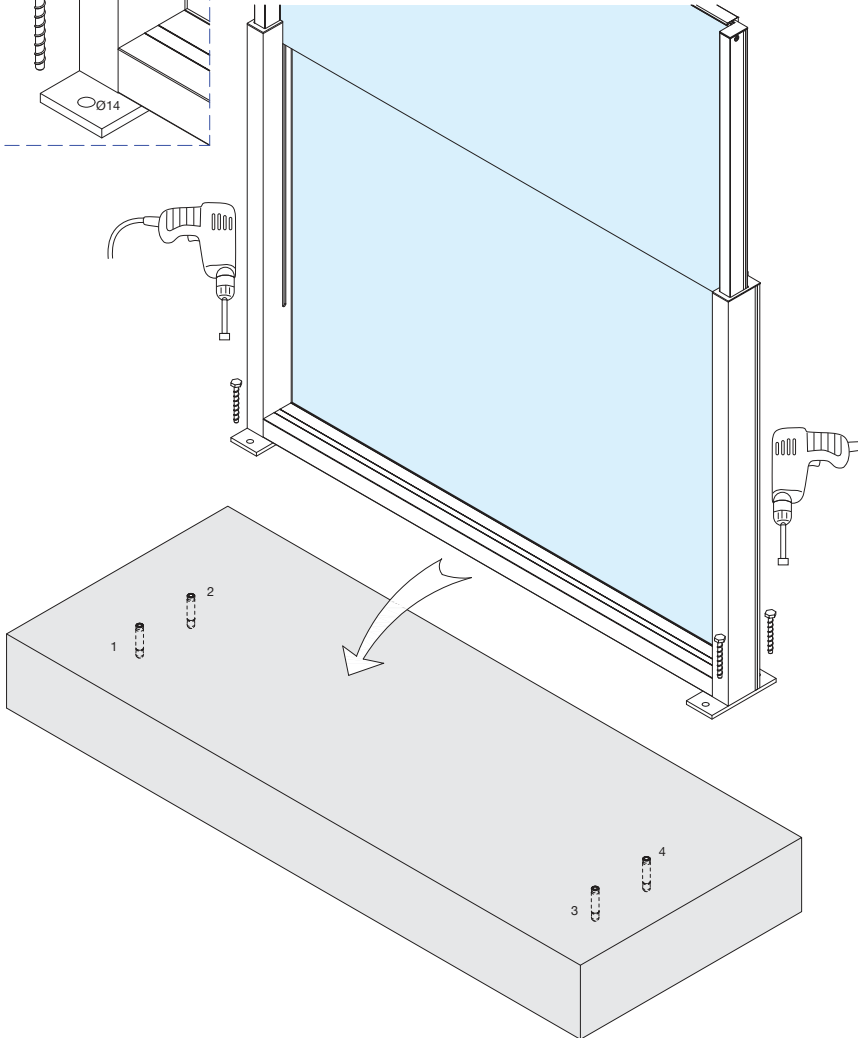
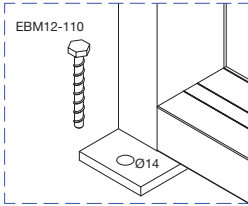


DRILLING DISTANCES (L)	
1	$L = \text{Total Length} - \text{Footplate} = 1000 - 80 = 920\text{mm}$
2	$L = \text{Total Length} - \text{Footplate} = 1200 - 80 = 1120\text{mm}$
3	$L = \text{Total Length} - \text{Footplate} = 1500 - 80 = 1420\text{mm}$
4	$L = \text{Total Length} - \text{Footplate} = 1800 - 80 = 1720\text{mm}$
5	$L = \text{Total Length} - \text{Footplate} = 2000 - 80 = 1920\text{mm}$

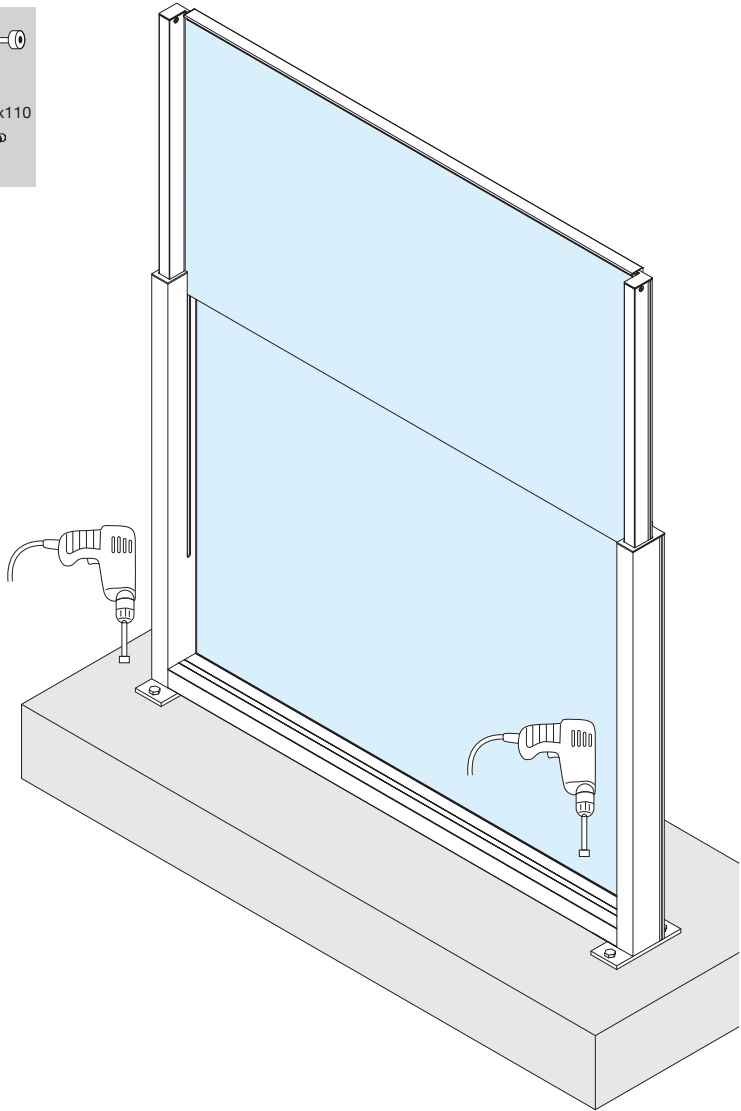
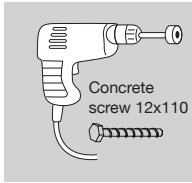


Concrete Screw Ø12-110

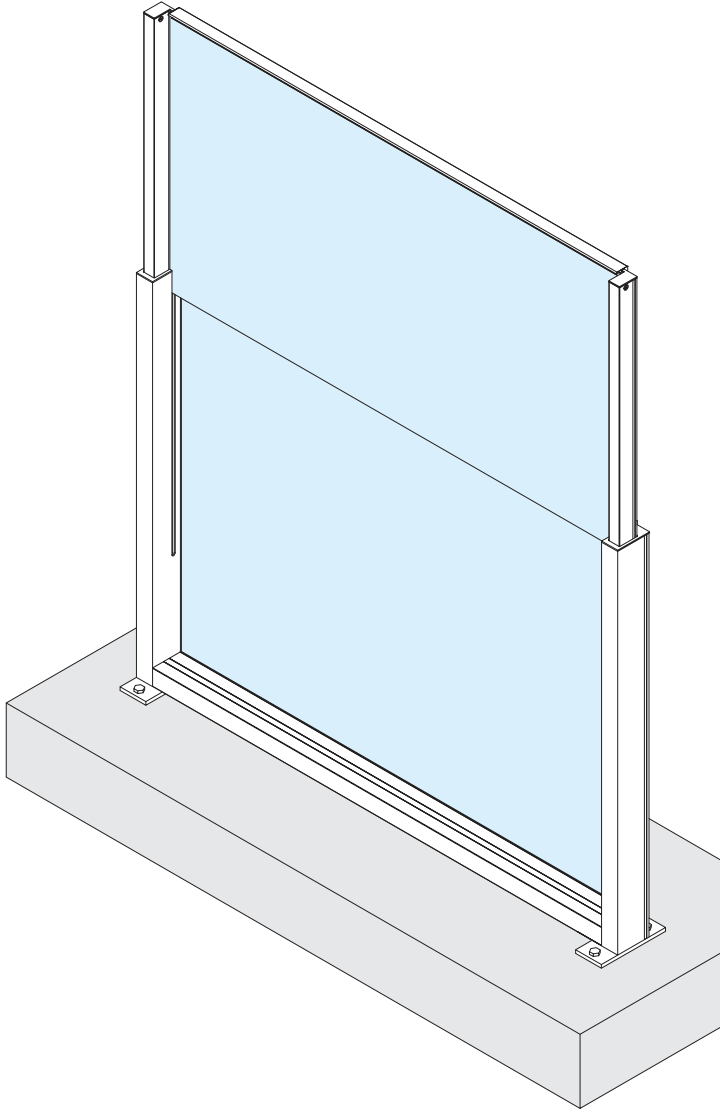
Code **EBM12-110**



Alternative ground fixing with concrete screw









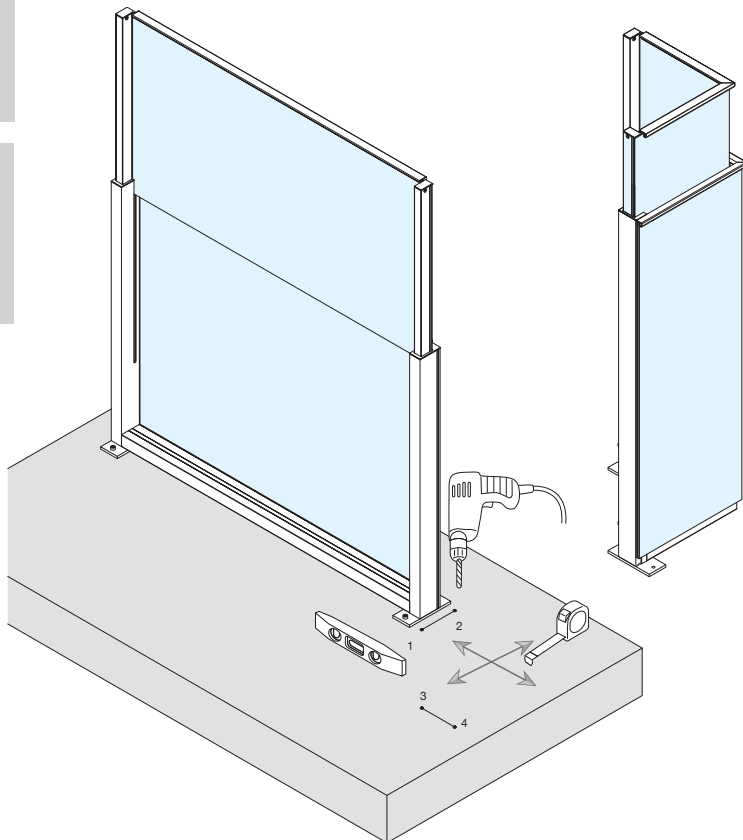
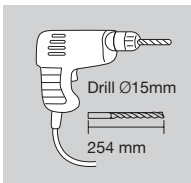
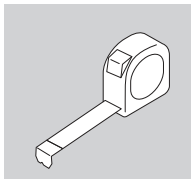
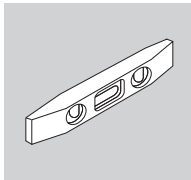
# Open air

by ALUMINCO



Corner ground fixing guide

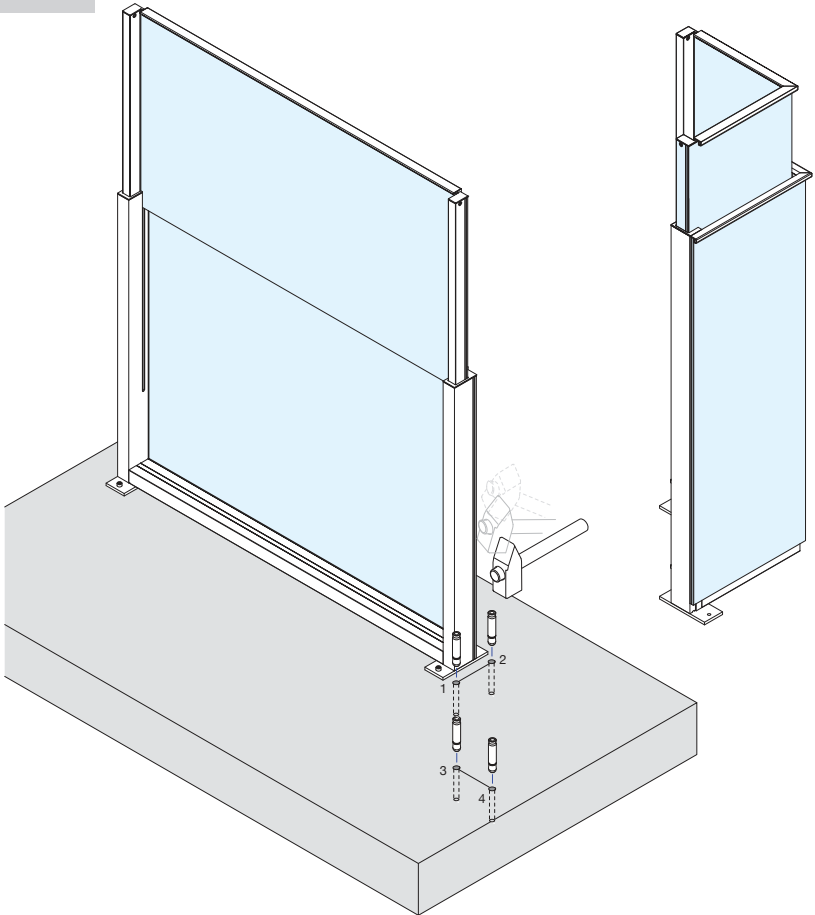
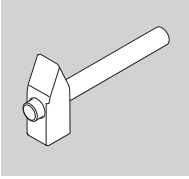
# Corner ground fixing guide



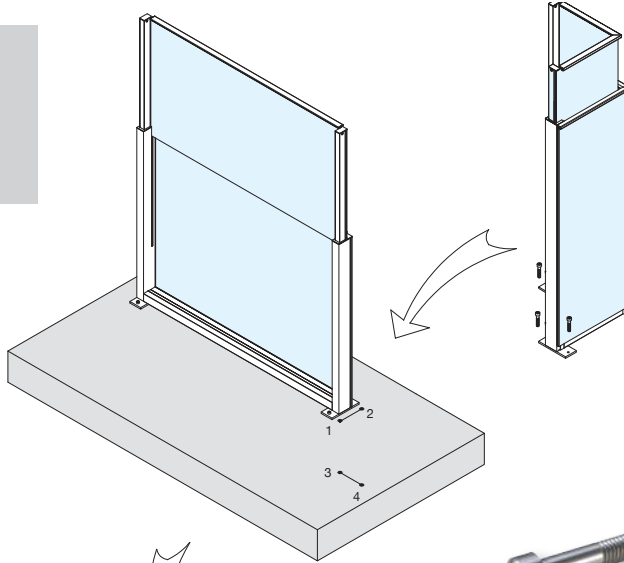
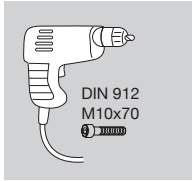


Expansion plug

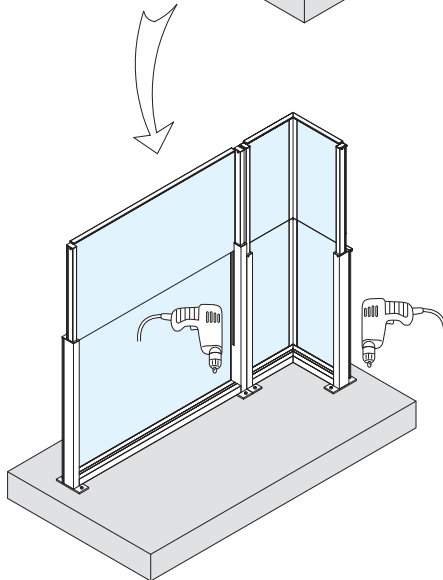
Code **EB01M-1040**

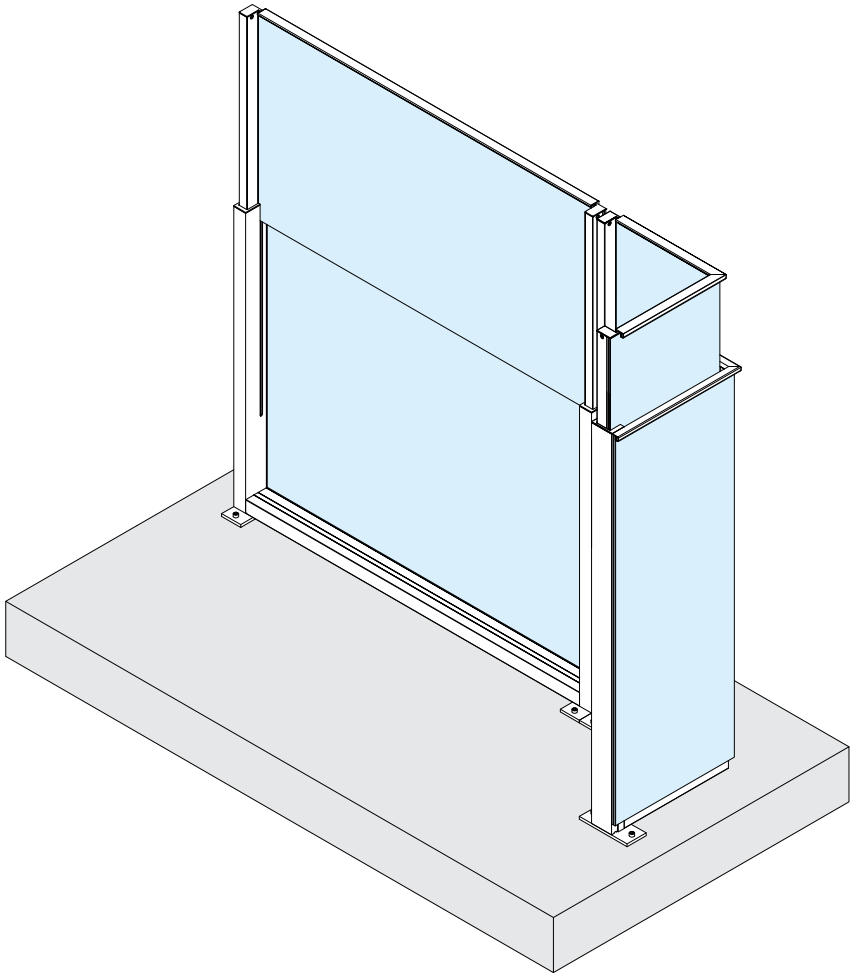


# Corner ground fixing guide



Inox allen screw M10x70  
Code **EB912-1070**







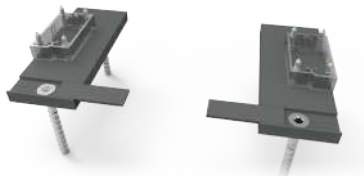


# Open air

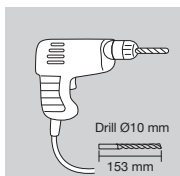
by ALUMINCO



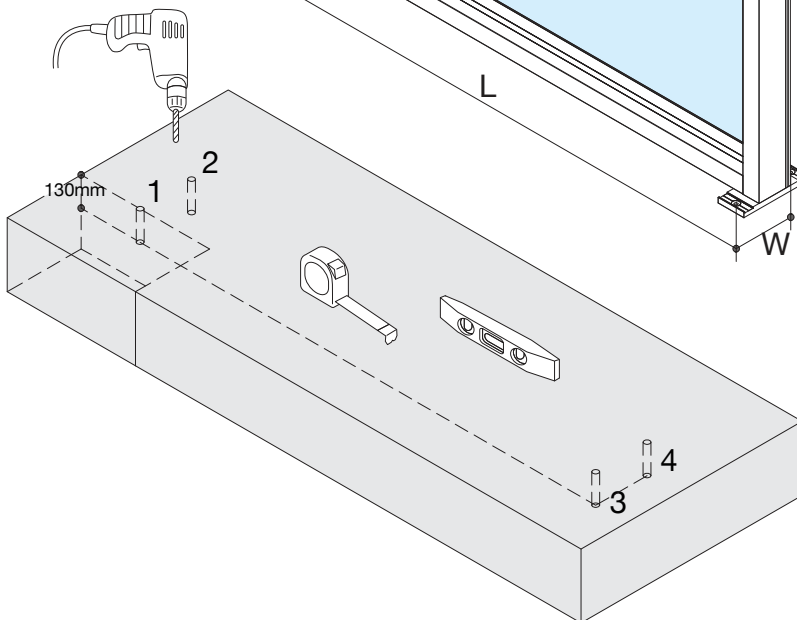
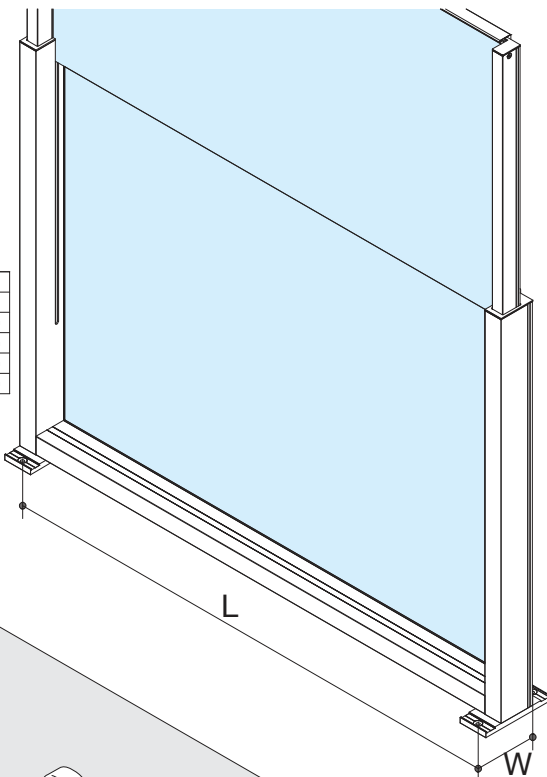
Ground fixing with secret screw



# Ground fixing with secret screw



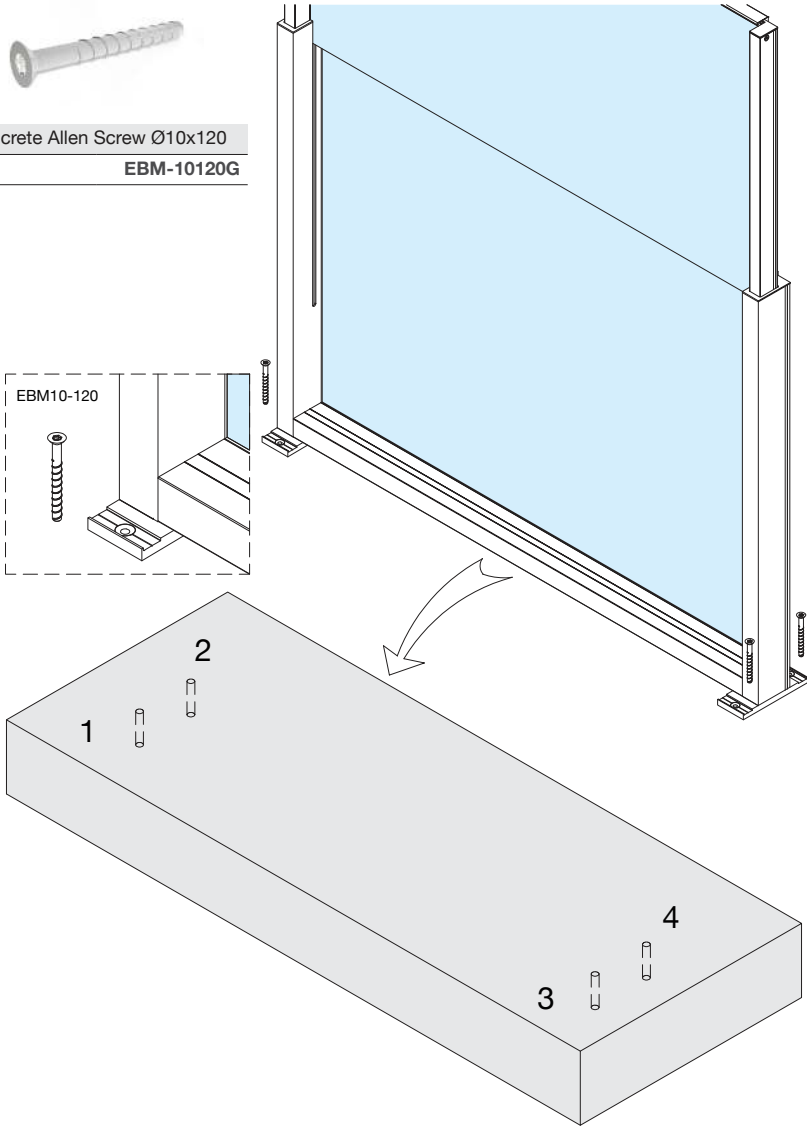
ΑΓΙΟΣΤΑΣΕΙΣ ΤΡΥΠΗΜΑΤΟΣ / DRILLING DISTANCES (L)	
1	L= O.A. Total Length - Footplate= 1000 - 80 = 920mm
2	L= O.A. Total Length - Footplate= 1200 - 80 = 1120mm
3	L= O.A. Total Length - Footplate= 1500 - 80 = 1420mm
4	L= O.A. Total Length - Footplate= 1800 - 80 = 1720mm
5	L= O.A. Total Length - Footplate= 2000 - 80 = 1920mm



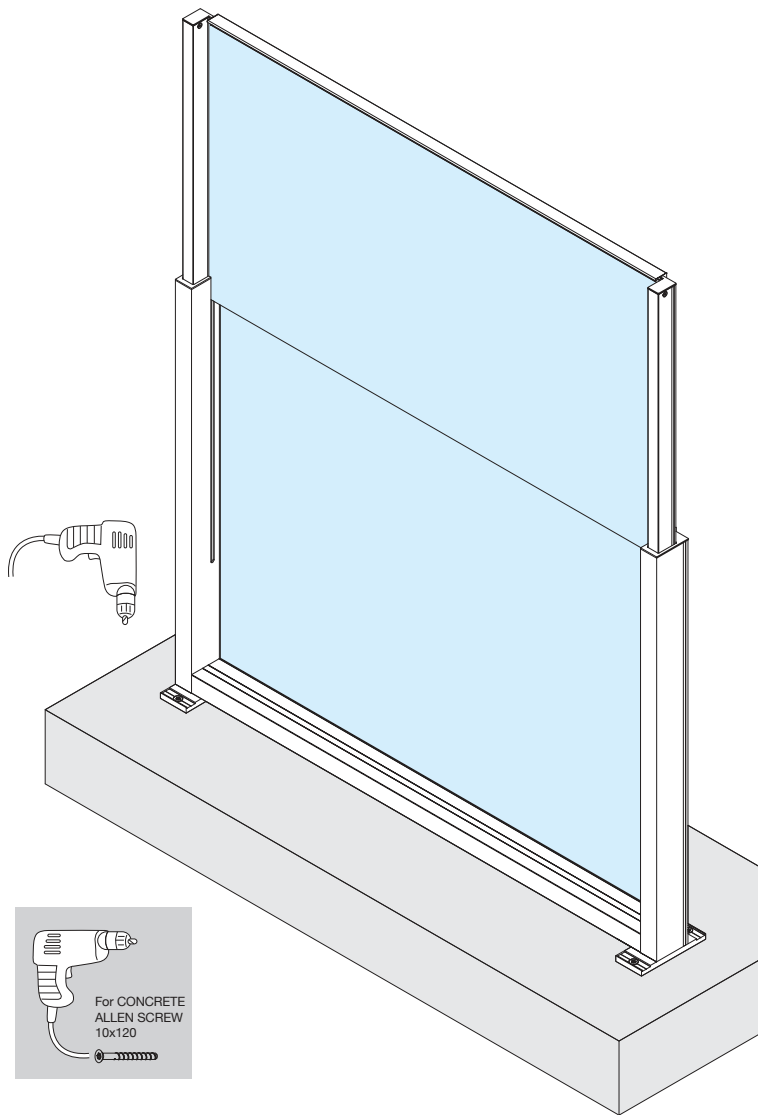


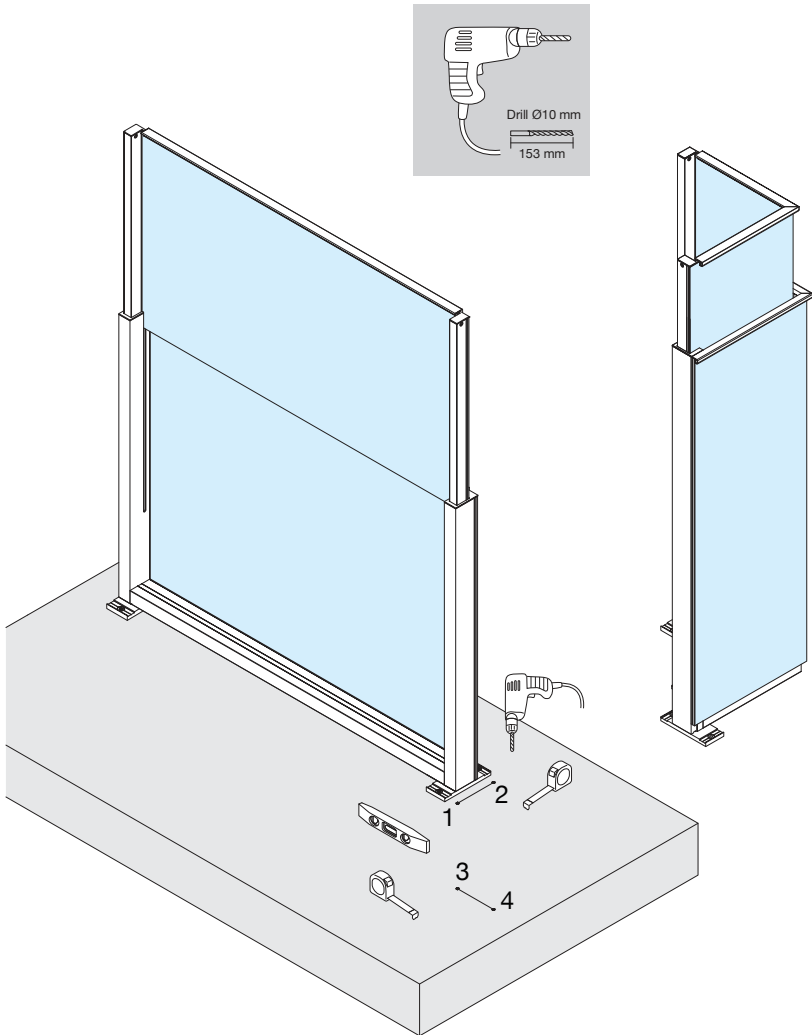
Concrete Allen Screw Ø10x120

Code **EBM-10120G**

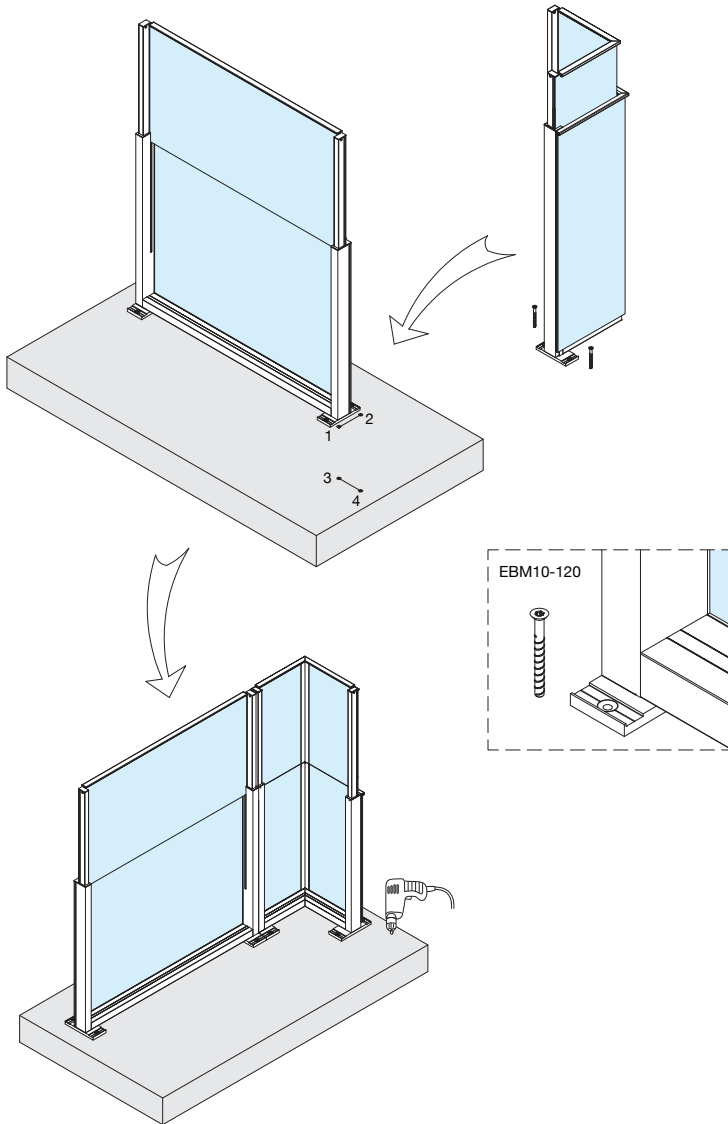


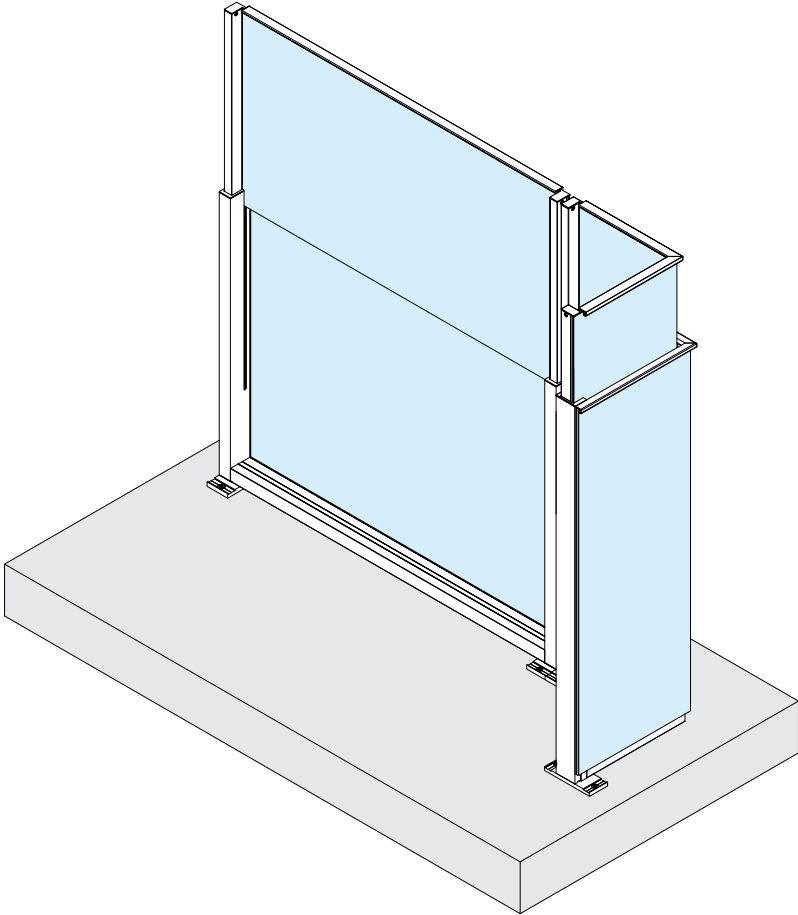
Ground fixing with secret screw





Ground fixing with secret screw







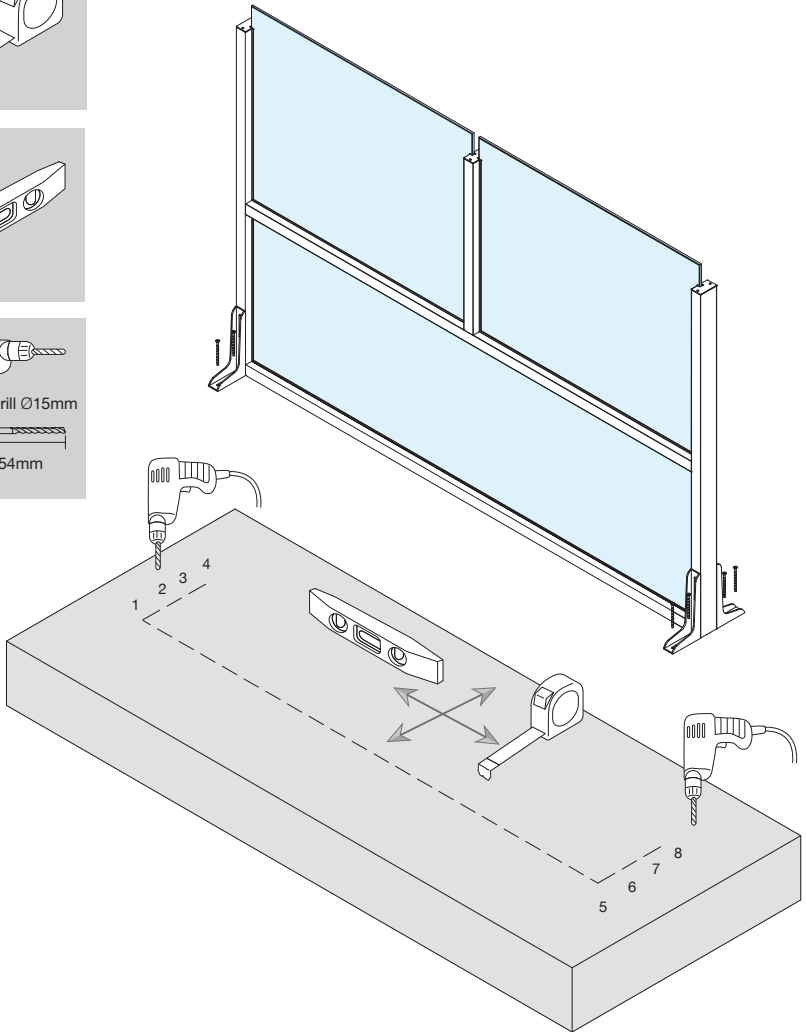
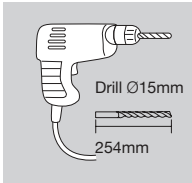
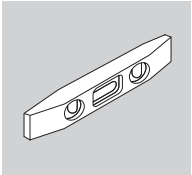
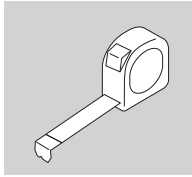


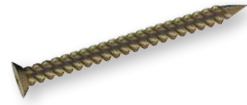
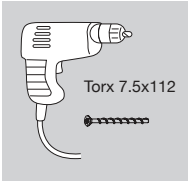
**Open air**



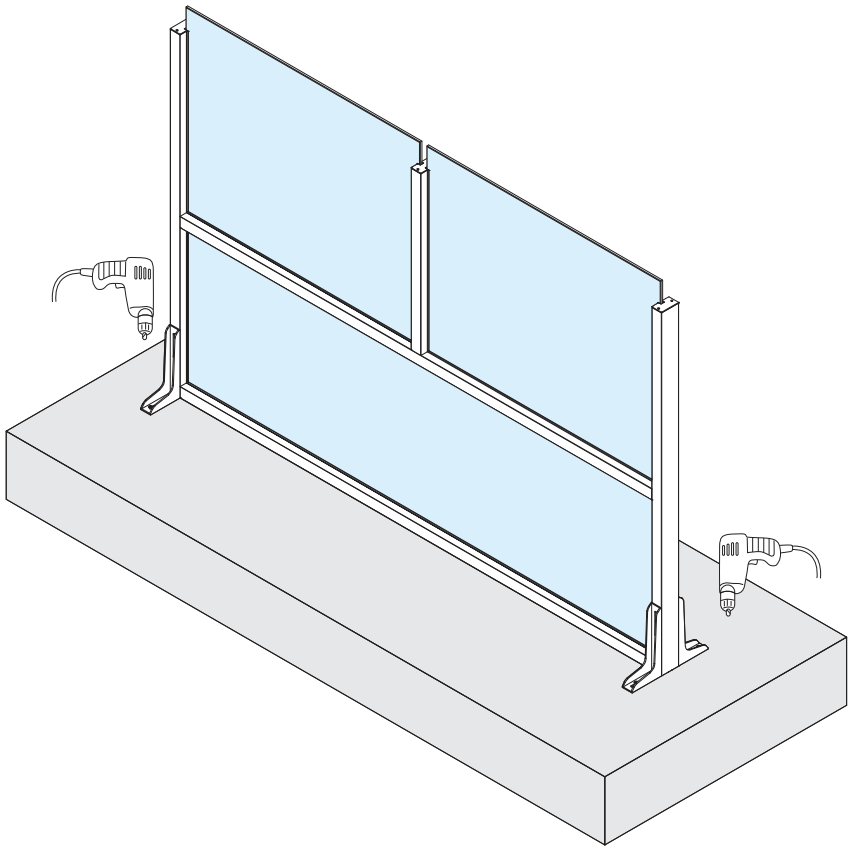
Ground fixing guide for  
fixed typology

Ground fixing guide for fixed typology





Concrete Torx 7.5x112
Code <b>EBM-75112G</b>



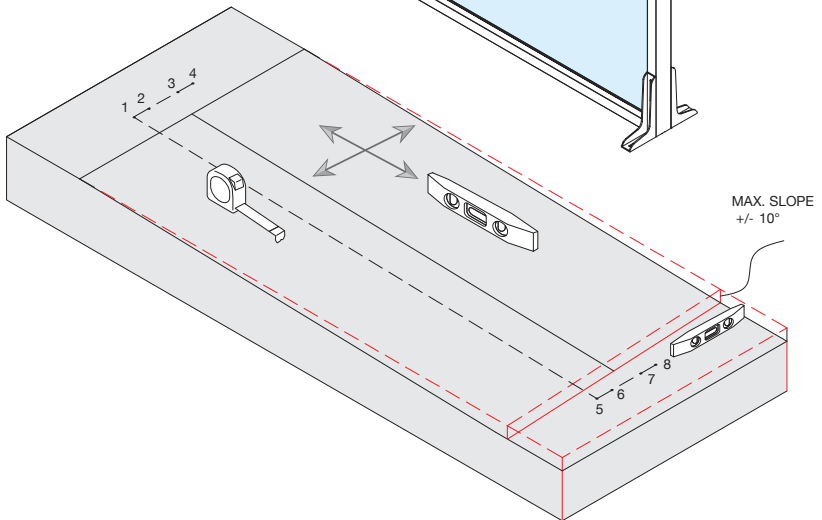
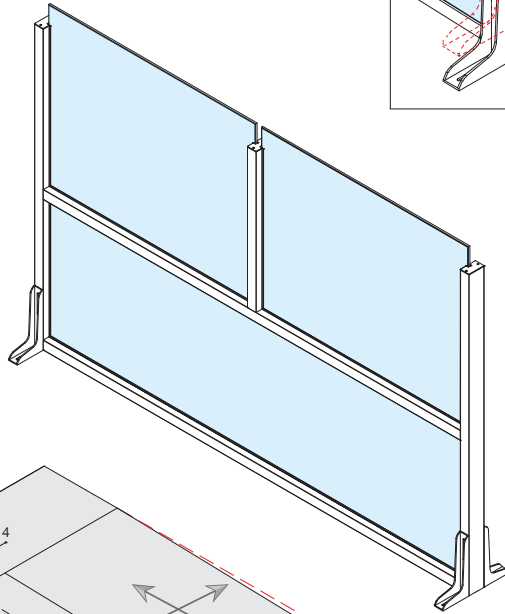
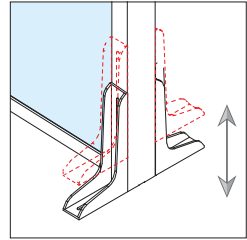
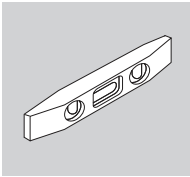
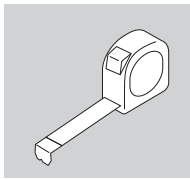
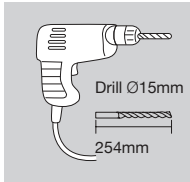


Open air

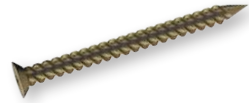
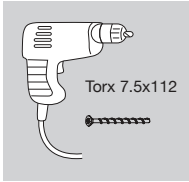


Ground fixing guide for fixed  
typology - Installation with slope  
 $\pm 10^\circ$

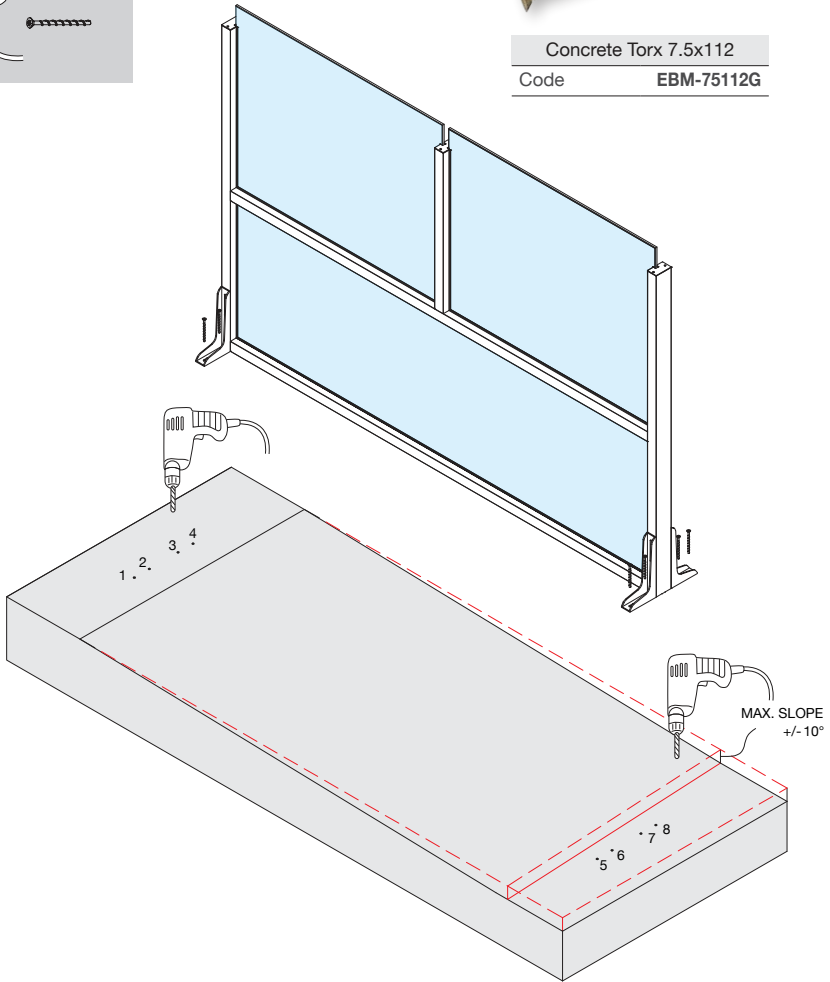
Ground fixing guide for fixed typology - Installation with slope  $\pm 10^\circ$



Ground fixing guide for fixed typology - Installation with slope +/-10°



Concrete Torx 7.5x112  
Code **EBM-75112G**



Ground fixing guide for fixed typology - Installation with slope +/-10°

